

# mass integrated

global part distribution • product lifecycle partner  
excess inventory management • value-ad service provider



Data sheet provided by Mass Integrated

[massintegrated.com](http://massintegrated.com) • [displayalliance.com](http://displayalliance.com)

Please call +1.978.465.6190  
Email: [sales@massintegrated.com](mailto:sales@massintegrated.com)



ISO 9001: 2008

Mass Integrated complies with all DMCA takedown notices. Please send a formal DMCA Takedown Notice to Mass Integrated Systems, Inc. • 18 Henry Graf Jr. Road, Unit 1 • Newburyport, MA 01950.



# Chunghwa Picture Tubes, Ltd.

## Product Specification

To :

Date : 100518

**TFT LCD**

**CLAA057VC01CW**

ACCEPTED BY : (V0.0)

Tentative

APPROVED BY	CHECKED BY	PREPARED BY
張聖暉	李家銘	羅宇城

Prepared by :

Product Planning Management Division  
Small & Medium TFT Product Business Unit  
**CHUNGHWA PICTURE TUBES, LTD.**

1127 Hopin Rd., Padeh, Taoyuan, Taiwan 334, R.O.C.  
TEL: +886-3-3675151 FAX: +886-3-377-3858

Doc.No:	SPEC_CLAA057VC01CW_V0.0_100518	Issue Date:	2010/05/03
---------	--------------------------------	-------------	------------



# CONTENTS

<b>1. OVERVIEW .....</b>	<b>4</b>
<b>2. ABSOLUTE MAXIMUM RATINGS .....</b>	<b>5</b>
<b>3. ELECTRICAL CHARACTERISTICS.....</b>	<b>6</b>
3.1 TFT-LCD Power Supply Voltage.....	6
3.2 TFT-LCD Power Supply Current.....	6
3.3 Power \ Signal sequence.....	6
3.4 Backlight.....	9
<b>4. INTERFACE CONNECTION.....</b>	<b>10</b>
<b>5. INPUT SIGNAL (DE ONLY MODE).....</b>	<b>12</b>
5.1 Timing specification.....	12
5.2 Timing Chart.....	13
<b>6. MECHANICAL DIMENSION .....</b>	<b>15</b>
6.1 Front View.....	15
6.2 Rear View .....	16
<b>7. OPTICAL CHARACTERISTICS .....</b>	<b>17</b>
<b>8. RELIABILITY TEST .....</b>	<b>19</b>
8.1 Temperature and Humidity .....	19
8.2 Shock and Vibration .....	19
8.3 ESD.....	20
8.4 Judgment Standard.....	20

## 1. OVERVIEW

CLAA057VC01CW is 5.7" color TFT-LCD (Thin Film Transistor Liquid Crystal Display) module composed of LCD panel, driver IC, and LED backlight.

General specifications are summarized in the following table:

Item		Specification
Display Area (mm)		116.16(H) × 87.12(V)
Resolution		640(H) × 3(RGB) × 480(V)
Pixel Pitch (mm)		0.1815(H) × 0.1815(V)
Pixel Arrangement		R,G,B vertical stripe
Display Mode		Normally White
Number of Color		262K
Viewing Direction		6 o'clock
Response Time (Tr+Tf)		30ms(typ)
Contrast Ratio		300 : 1
Luminance (cd/m <sup>2</sup> )		220nit(typ)
NTSC		50%(typ)
Viewing Angle	CR > 10	140 degree (Horizontal) , 100 degree (Vertical)
Electrical Interface		TTL
Power Consumption (W)		1.4W(typ)
Outline Dimension(mm)		127(W) × 100(H) × 6.6(D)
Module Weight(g)		110g(typ)
Backlight		LED
Surface Treatment		Anti-Glare , Surface hardness: 3H

## 2. ABSOLUTE MAXIMUM RATINGS

Item	Symbol	Min	Max	Unit	Remarks
Power Supply Voltage for LCD	Vcc	-0.3	5	V	
Power Supply Voltage for LED	VLED	GND	30	V	
ICC Rush Current	IRUSH	-	1	A	*2)
Gate Off Voltage	VEEG	-20	0.3	V	
Operating temperature	Topa	-30	85	°C	*1)
Storage temperature	Tstg	-40	90	°C	*1)

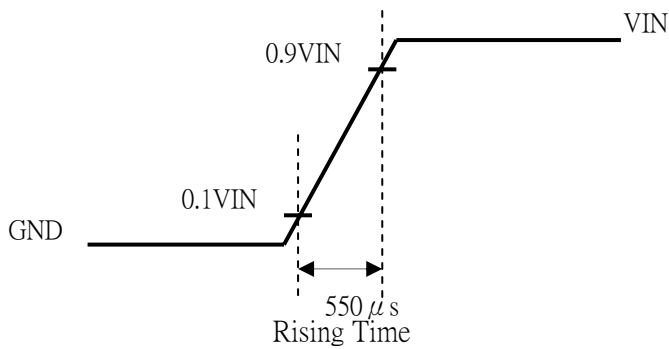
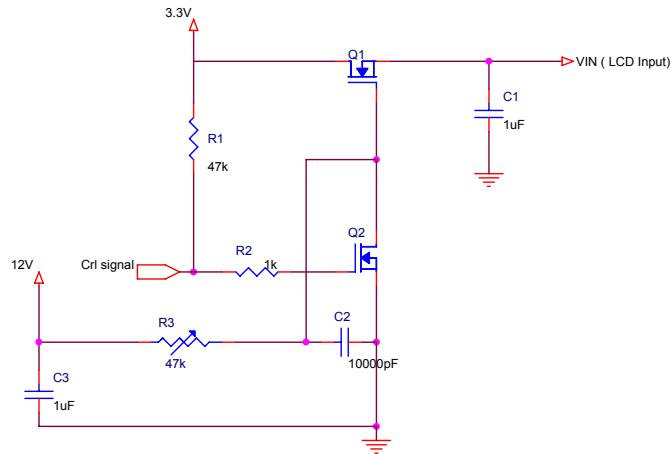
Remarks :

\*1) If the product were used out of the operation and storage range, it will have quality issue.

\*2) The input pulse-current measurement system is as below:

Control signal: High (+3.3V)→Low (GND)

Supply Voltage of rising time should be from R3 and C2 tune to 550 μs.



### 3. ELECTRICAL CHARACTERISTICS

#### 3.1 TFT-LCD Power Supply Voltage

Ta=25°C

Item	Symbol	Min	Typ	Max	Unit	Remarks
Power Supply Voltage For LCD	V <sub>CC</sub>	3.0	3.3	3.6	V	
Power Supply Voltage For LED	V <sub>LED</sub>	4.5	5	5.5	V	
Logic Input Voltage	V <sub>IH</sub>	V <sub>CC</sub> *0.7	--	V <sub>CC</sub>	V	
	V <sub>IL</sub>	GND	--	V <sub>CC</sub> *0.3	V	
ADJ Input Voltage	V <sub>IH</sub>	3.0	--	3.3	V	
	V <sub>IL</sub>	GND	--	0.3	V	

#### 3.2 TFT-LCD Power Supply Current

Ta=25°C

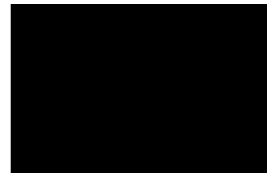
Item	Symbol	Conditions	Min	Typ	Max	Unit	Remarks
LCD Power Current	I <sub>CC</sub>	--	95	115	mA	*1)	
LED Power Current	I <sub>LED</sub>	--	210	240	mA	*2)	

Remarks :

\*1)Typical : 64 gray pattern , Maximum : Black pattern ◦



64 Gray Pattern



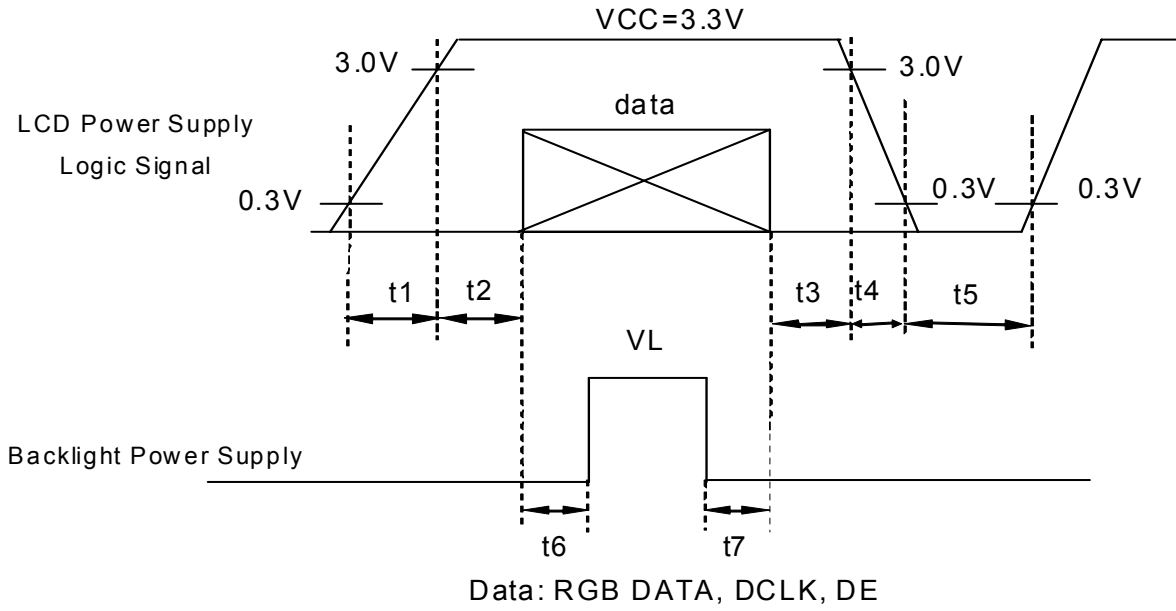
Black Pattern

\*2) Typical: VDD = 5V

Maximum: VDD = 4.5V

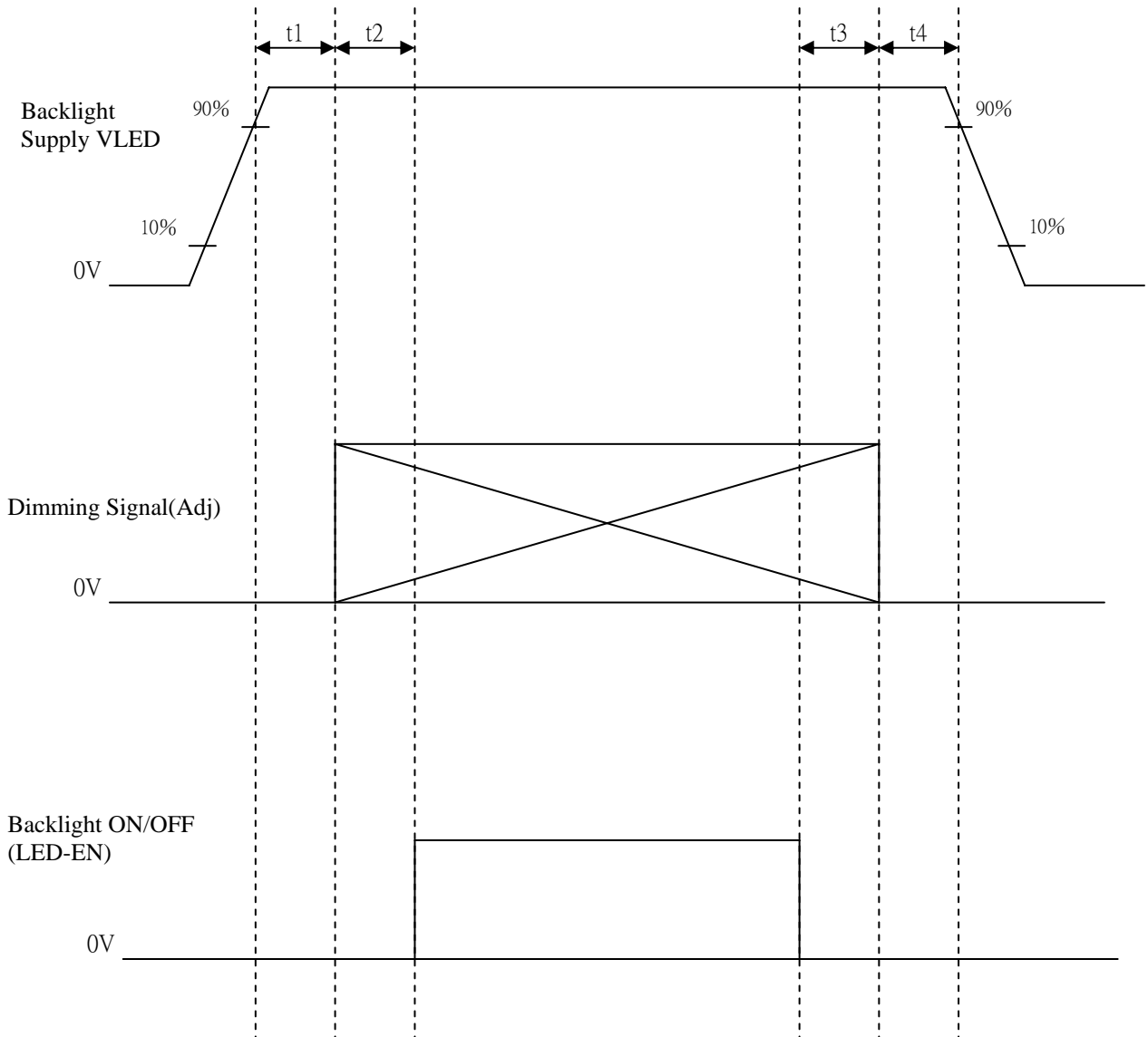
#### 3.3 Power 、 Signal sequence

0.5<t<sub>1</sub> ≤ 10ms      200ms ≤ t<sub>5</sub>0 < t<sub>2</sub> ≤ 50ms      200ms ≤ t<sub>6</sub>0 < t<sub>3</sub> ≤ 50ms      200ms ≤ t<sub>7</sub>0 < t<sub>4</sub> ≤ 10ms





- 10ms  $\leq$  t1
- 10ms  $\leq$  t2
- 0ms  $\leq$  t3
- 10ms  $\leq$  t4



## 3.4 Backlight

Item	Symbol	Condition	Min	Typ	Max	Unit	Remarks
LED Lifetime	-	Ta=25°C Each serial=20mA	30000			Hr	
		Ta=60°C Each serial=20mA	15000			Hr	

Remarks :

\*1) Definition LED lifetime : Luminance will decay less than 50%.

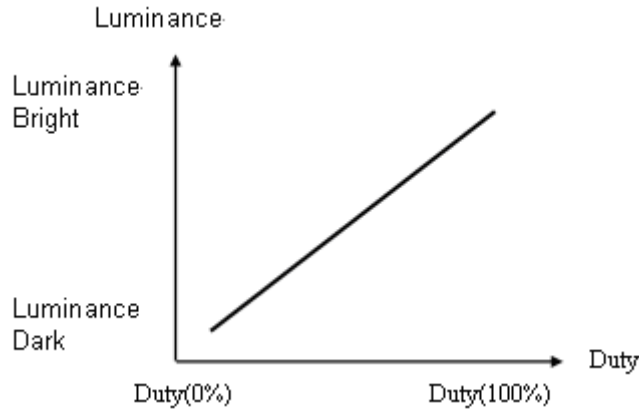
## 4. INTERFACE CONNECTION

(a) CN1 : Starconn. 089N40-000R00-G2-R

Pin NO.	Symbol	Description
1	U/D	Up / Down Display Control
2	DMS	DE / SYNC Mode Selection
3	Hsync	Horizontal SYNC.
4	V <sub>LED</sub>	Power Supply for LED
5	V <sub>LED</sub>	Power Supply for LED
6	V <sub>LED</sub>	Power Supply for LED
7	V <sub>cc</sub>	Power Supply for LCD
8	Vsync	Vertical SYNC.
9	DE	Data Enable
10	V <sub>SS</sub>	Power Ground
11	V <sub>SS</sub>	Power Ground
12	ADJ	Adjust for LED brightness
13	B5	Blue Data 5 (MSB)
14	B4	Blue Data 4
15	B3	Blue Data 3
16	V <sub>SS</sub>	Power Ground
17	B2	Blue Data 2
18	B1	Blue Data 1
19	B0	Blue Data 0 (LSB)
20	V <sub>SS</sub>	Power Ground
21	G5	Green Data 5 (MSB)
22	G4	Green Data 4
23	G3	Green Data 3
24	V <sub>SS</sub>	Power Ground
25	G2	Green Data 2
26	G1	Green Data 1
27	G0	Green Data 0 (LSB)
28	V <sub>SS</sub>	Power Ground
29	R5	Red Data 5 (MSB)
30	R4	Red Data 4
31	R3	Red Data 3
32	V <sub>SS</sub>	Power Ground
33	R2	Red Data 2
34	R1	Red Data 1
35	R0	Red Data 0 (LSB)
36	V <sub>SS</sub>	Power Ground
37	V <sub>SS</sub>	Power Ground
38	DCLK	Clock Signals
39	V <sub>SS</sub>	Power Ground
40	L/R	Left / Right Display Control

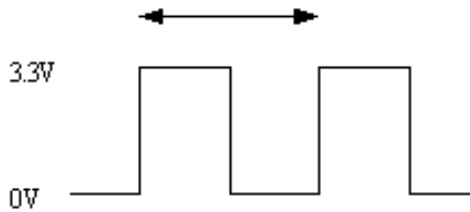
Remarks :

- \*1) VSS pin must be connected with GND. Don't let it be an empty pin.
- \*2) Adjust control pin (ADJ) controls brightness. The bigger pulse duty, the brighter luminance.



- \*3) ADJ signal=0~3.3V, operation frequency: 25KHZ±5KHz.

$F=25\text{KHz} \pm 5\text{KHz}$  ,  $T=0.04\text{ms}$



The ADJ should pull-high if not adjust brightness, this pin can't floating.

\*4) U/D & L/R Control Function

L/R	U/D	Function
1	0	Normal Display
0	0	Left / Right Contrary
1	1	Up / Down Reverse
0	1	Left / Right Contrary · Up / Down Reverse

\*5) DMS ( Selection DE / SYNC mode )

DMS	Function
1	DE Mode
0	SYNC Mode

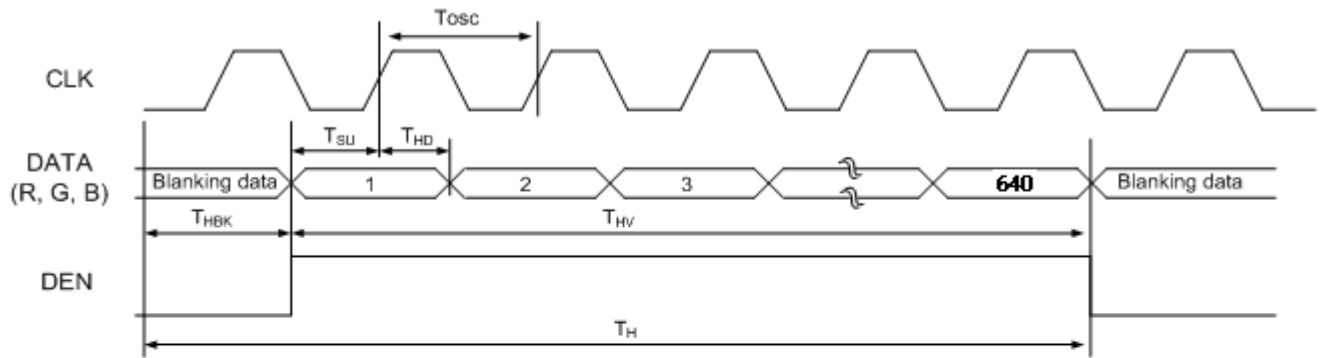
## 5. INPUT SIGNAL (DE ONLY MODE)

### 5.1 Timing specification

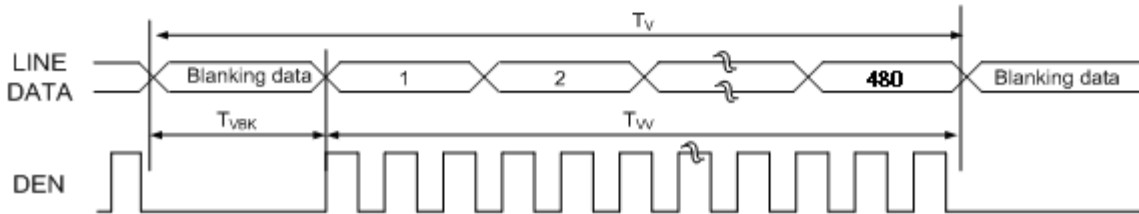
Characteristics		Symbol	Min	Typ	Max	Unit	Remarks
DE MODE	Dot Clock	$F_{OSC}$	23	25	30	MHz	
	Horizontal Period	$T_H$	750	800	900	$T_{OSC}$	
	Horizontal Valid	$T_{HV}$	640				
	Horizontal Blank	$T_{HBK}$	110	160	260		
	Vertical Period	$T_V$	515	525	560	$T_H$	
	Vertical Valid	$T_{VV}$	480				
	Vertical Blank	$T_{VBK}$	35	45	80		
SYNC MODE	Horizontal Period	$T_H$	750	800	900	$T_{OSC}$	
	Horizontal Pulse Width	$T_{HS}$	1	48	-		$T_{HPWB} = 88DCLK$ is fixed
	Horizontal Pulse Width + Back Proch	$T_{HPWB}$	-	88	-		
	Horizontal Front Proch	$T_{HF}$	22	72	172		
	Horizontal Valid	$T_{HV}$	640				
	Vertical Period	$T_V$	515	525	560	$T_H$	
	Vertical Pulse Width	$T_{VS}$	1	3	-		$T_{VPWB} = 32 T_H$ is fixed
	Vertical Pulse Width + Back Proch	$T_{VPWB}$	-	32	-		
	Vertical Front Proch	$T_{VF}$	3	13	48		
	Vertical Valid	$T_{VV}$	480				

5.2 Timing Chart

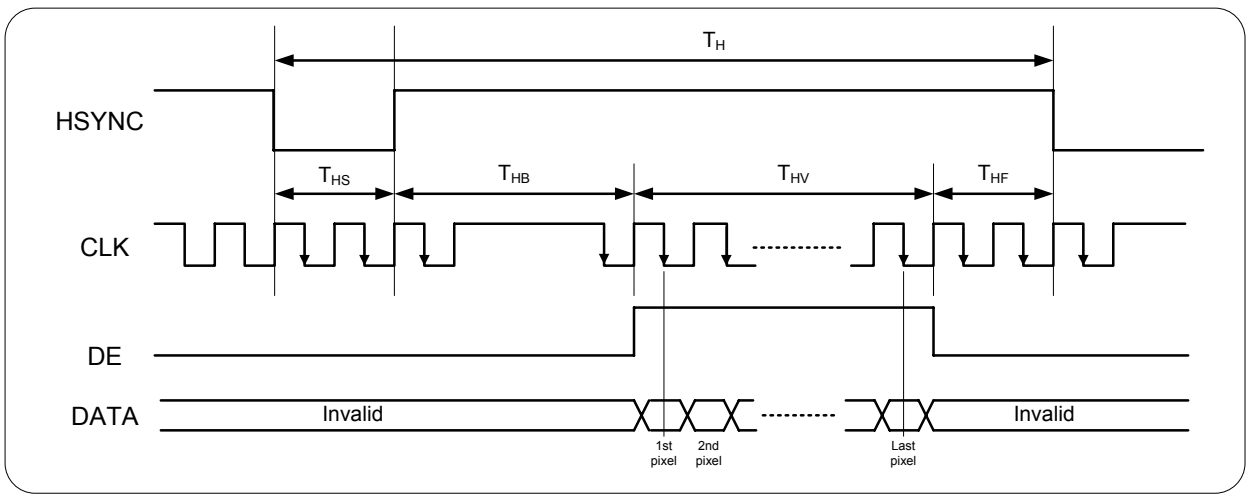
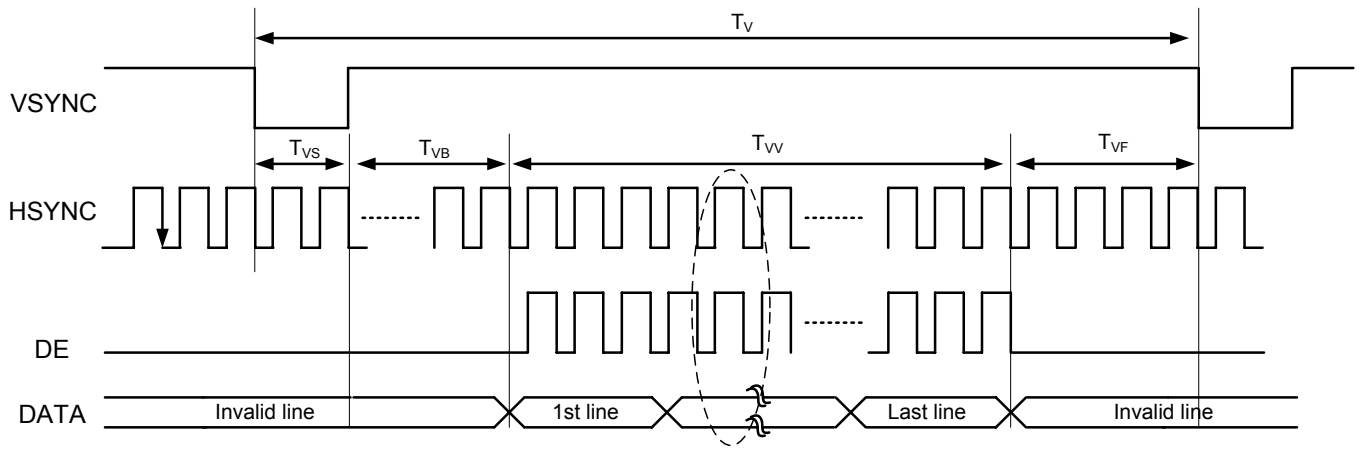
Horizontal Timing Sequence



Vertical Timing Sequence



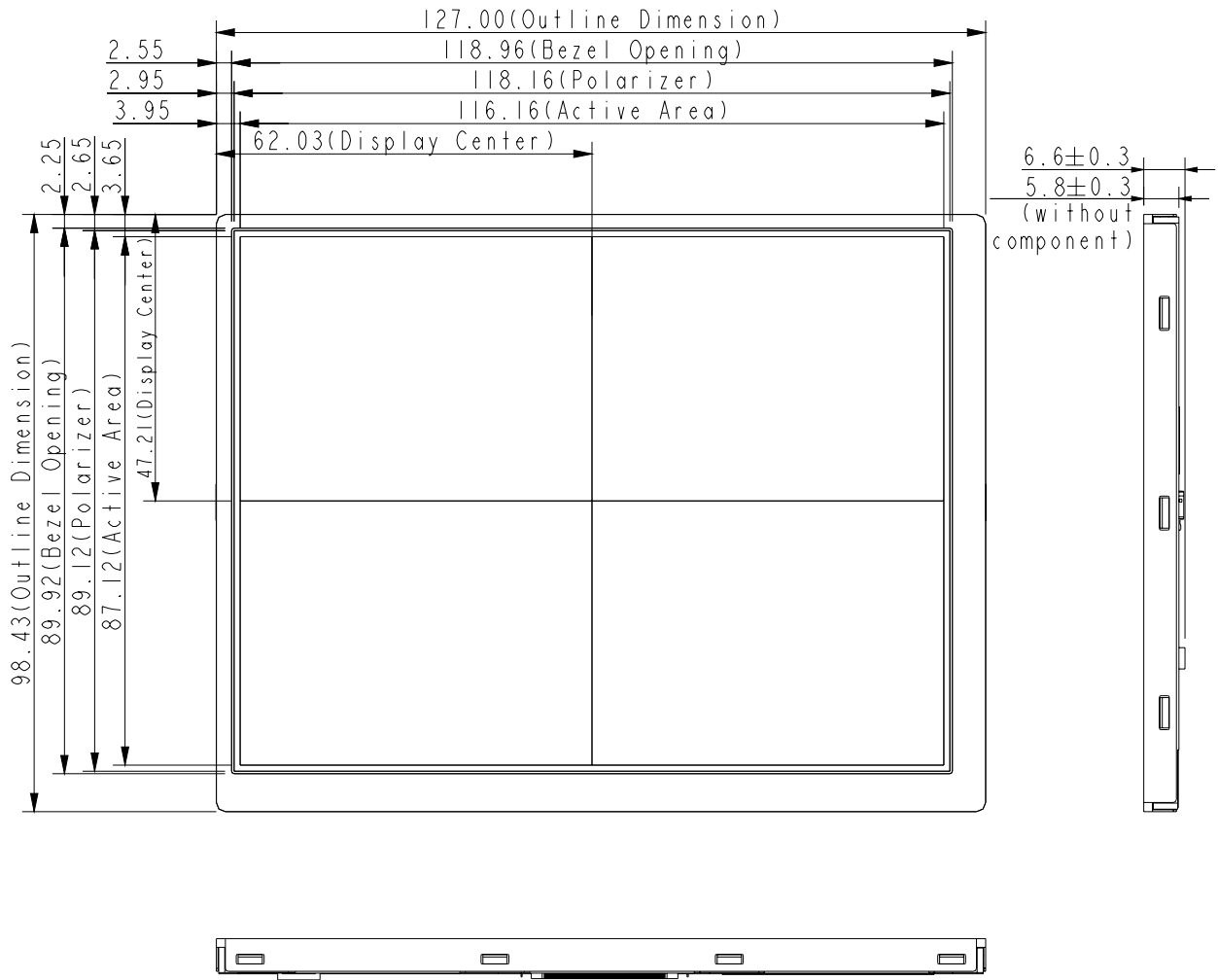
DE mode Timing



Sync mode Timing

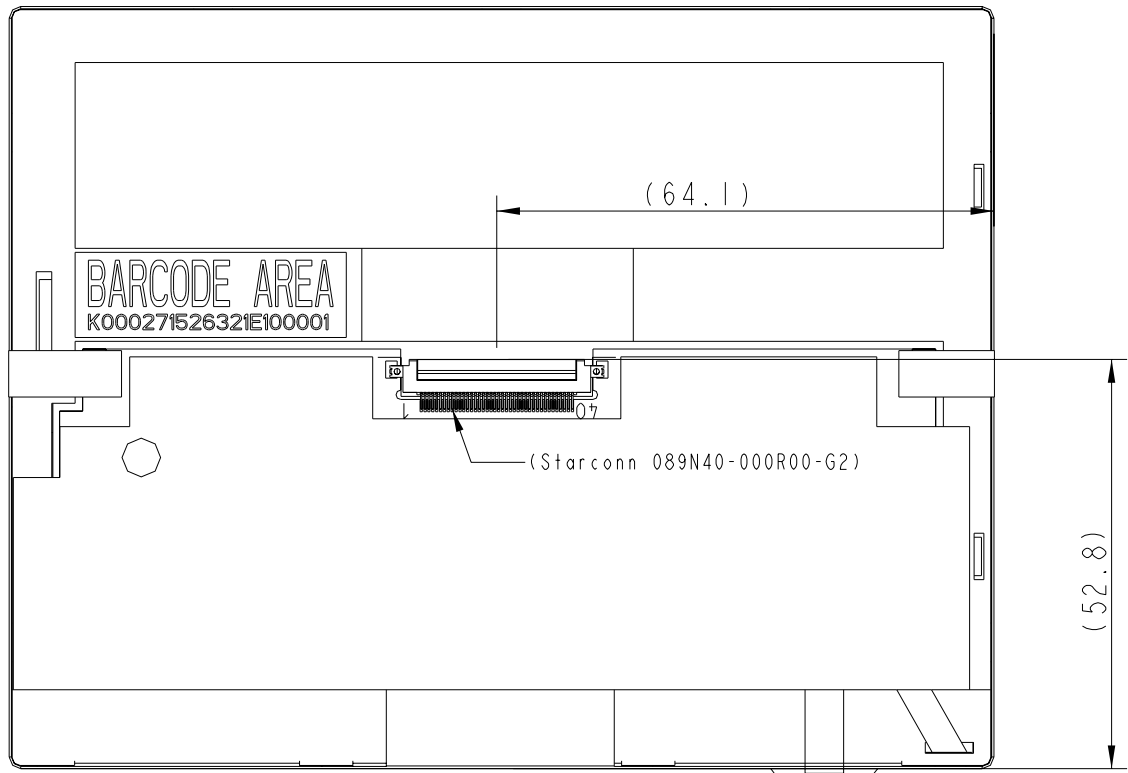
### 6. MECHANICAL DIMENSION

#### 6.1 Front View





6.2 Rear View



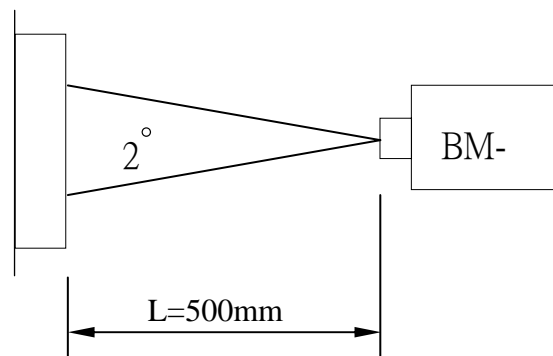
Remark: General tolerance  $\pm 0.3$  mm

## 7. OPTICAL CHARACTERISTICS

Item	Symbol	Condition	Min.	Typ.	Max.	Unit	Remarks	
Contrast	CR	Point-5	200	300	--	--	*1)*2)*3)	
Luminance	Center point	Lw	180	220	--	cd/m <sup>2</sup>	*2)*3)	
	Uniformity	ΔL	70	80	--	%	*2)*3)	
Response Time (White - Black)	Tr+ Tf		--	20	--	ms	*1)*3)*5)	
NTSC	-	Point-5	40	50		%	*1)*3)	
View angle	Horizontal	∅	CR ≥ 10	120	140	--	°	*1)*2)*4)
	Vertical	θ	Point-5	80	100	--	°	*1)*2)*4)
Color Coordination	White	Wx Wy	Point-5	0.273 0.289	0.313 0.329	0.353 0.369	--	*1)*3)
	Red	Rx Ry		TBD TBD	TBD TBD	TBD TBD		
	Green	Gx Gy		TBD TBD	TBD TBD	TBD TBD		
	Blue	Bx By		TBD TBD	TBD TBD	TBD TBD		

Remarks :

\*1) Measuring conditions : 25°C±2°C , 60±10%RH , under 10 Lux in dark room ◦ BM-5A (TOPCON) , view cone=2° , VCC=3.3V , Vadj=3.3V Duty 100% , after 10 minutes operation.

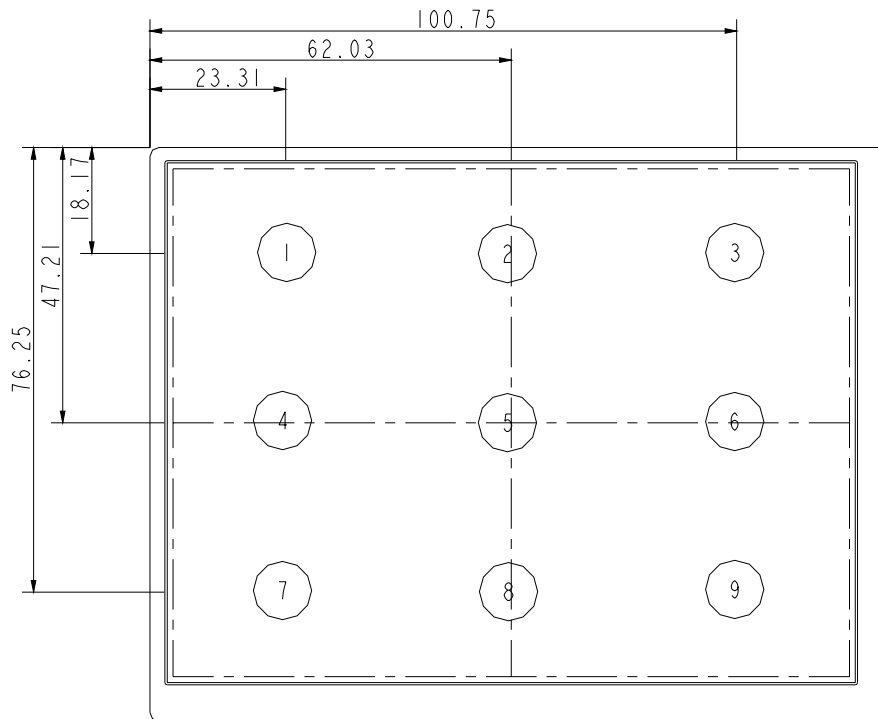


\*2) Contrast : CR= On (White Luminance) / Off (Black Luminance)

\*3) Luminance and Uniformity :

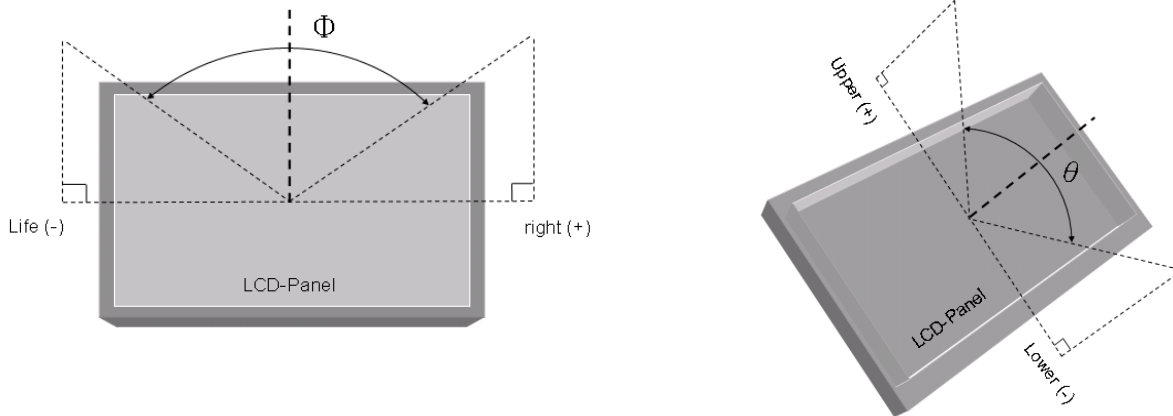
The center point of the Luminance : No 5 point.

Uniformity :  $\Delta L = [L(\text{MIN})/L(\text{MAX})] \times 100$



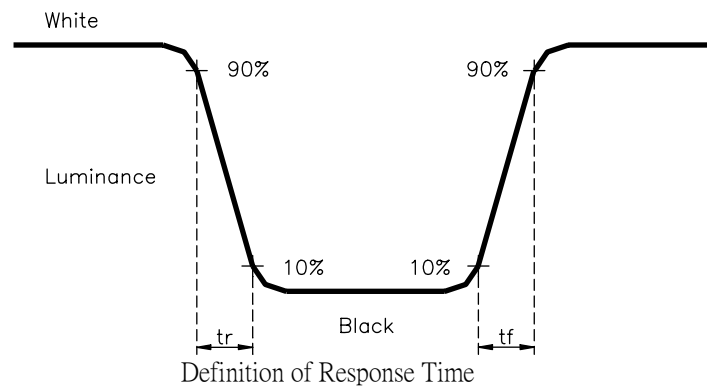
Measuring point

\*4) Viewing Angle ( $\theta \cdot \psi$ ) : (Measuring Device : EZ-CONTRAST)



Definition of View Angle

## \*4) Response Time (White - Black)

**8. RELIABILITY TEST**

## 8.1 Temperature and Humidity

Item	Condition
High Temperature Operation	85° C , 240hrs
High Temperature Storage	95° C , 240hrs
High Temperature and High Humidity Operation	60° C , 90% RH, 240hrs(No condensation)
Low Temperature Operation	-30° C : 240hrs
Low Temperature Storage	-40° C : 240hrs
Thermal Shock	-30° C (0.5 hr)~85° C (0.5 hr), 200 CYCLE

## 8.2 Shock and Vibration

Item	Condition
Shock (Non-Operation)	100G 6msec 1/2 Sine wave, ±X , ±Y , ±Z , each axis 3times.
Vibration (Non-Operation)	Frequency range : 8~33.3Hz Stroke : 1.3mm Sweep : 2.9G , 33.3~40Hz Vibration : X , Z 2hrs each axis ◦ Y 4hrs each axis ◦ Sin wave ◦ Cycle time : 15min

## 8.3 ESD

Item	Condition	Remarks
E S D	150pF , 330Ω , ±8KV&±15KV air & contact test	*1)
	200pF , 0Ω , ±200V contact test	*2)

Remarks :

\*1) LCD glass and metal bezel ◦

\*2) IF connector pins ◦

## 8.4 Judgment Standard

The judgment of the above test should be made as follow:

Pass: Normal display image with no obvious non-uniformity and no line defect. Partial transformation of the module parts should be ignored.

Fail: No display image, obvious non-uniformity, or line defects.